

RF Coaxial Cable

Product > RF cable, RF extender cable

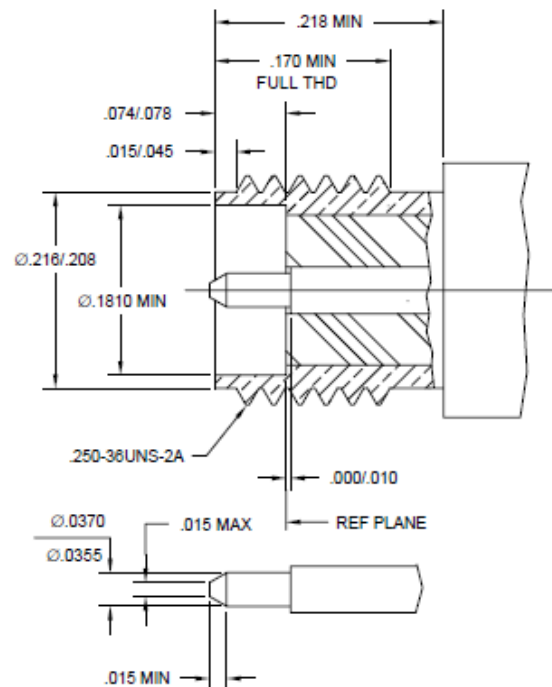
RP-SMA IPX 8cm



RF IPX cable 射頻同軸線 RF IPX ケーブル RF 同軸ケーブル



RP-SMA female (Pigtail)
RP-SMA メス (ドングル)
内針外牙 (射頻同軸線)
凸芯オスネジ (RF 同軸ケーブル)



Red cap
保護套



hex nut
六角螺母
六角ナット



internal tooth
washer
内齒墊圈
内齒ワッシャー

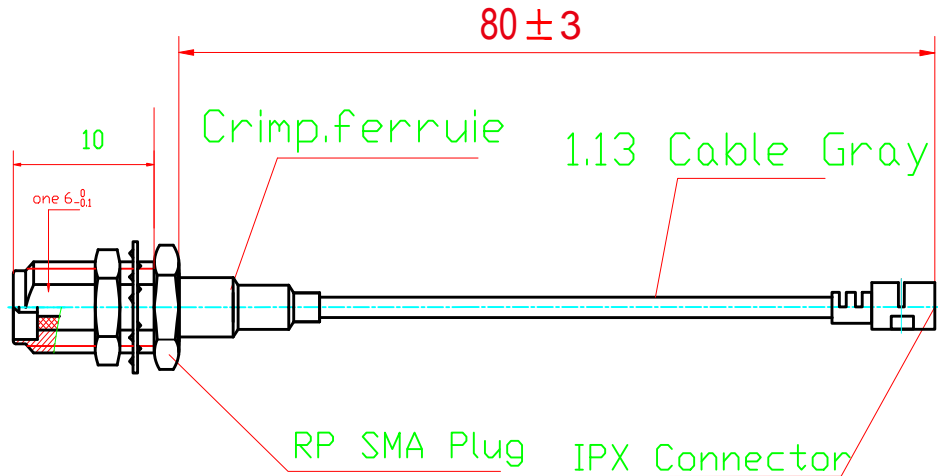


snap washer
缺口墊圈
スナップワッシ



U.fl (IPX)

1.13 RP JUMPER CABLE SMA JACK TO IPX R/A MALE
RP SMA-C-JY1.13/IPX-1.13-80±3mm



Interface

According to

IEC 60169-15

Electrical

| | |
|--------------------------|------------|
| Characteristic Impedance | 50 ± 1 ohm |
| Frequency Range | 0 - 6GHz |
| Rated. voltage | 60V |
| Test. Voltage | 200V |
| Dielectric Resistance | > 500MΩ |

Mechanical

Durability

Mating cycles > 500

Material and plating

| | Material | plating |
|------------------|----------|---------|
| Body | Brass | Au0.05 |
| Insulator | PTFE | - |
| Center conductor | Brass | Au0.05 |
| Nut | Brass | Au0.05 |

Environmental

Temperature Range

-40°C ~ +85°C

RF Coaxial Cable

Product > RF cable, RF extender cable

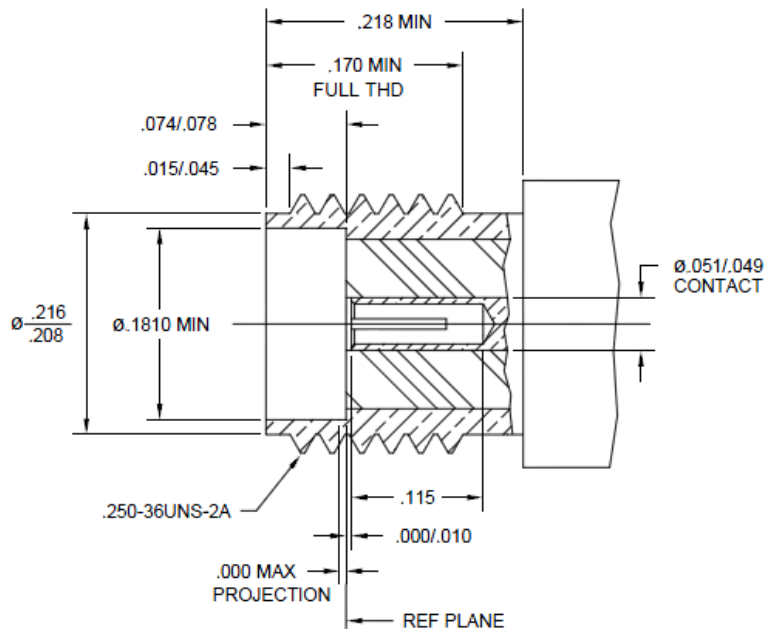
SMA IPX 8cm



RF IPX cable 射頻同軸線 RF IPX ケーブル RF 同軸ケーブル



SMA female (Pigtail)
SMA メス (ドングル)
内孔外牙 (射頻同軸線)
凹芯オスネジ (RF 同軸ケーブル)



Red cap
保護套



hex nut
六角螺母
六角ナット



internal tooth
washer
内齒墊圈
内齒ワッシャー

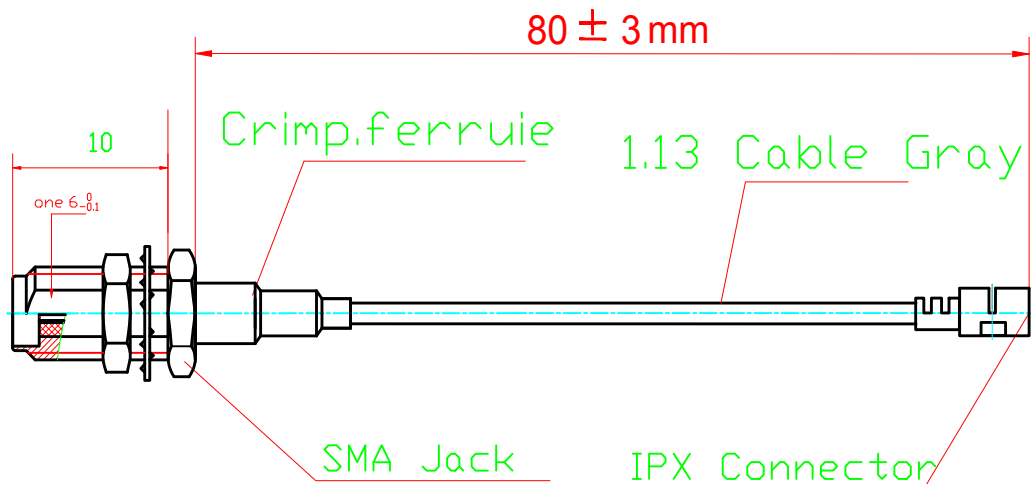


snap washer
缺口墊圈
スナップワッシ



U.fl (IPX)

1.13 JUMPER CABLE SMA JACK TO IPX R/A MALE
SMA-G-KY1.13/IPX-1.13-80±3mm



Interface

According to

IEC 60169-15

Electrical

| | |
|--------------------------|---------|
| Characteristic Impedance | 50±1ohm |
| Frequency Range | 0-6GHz |
| Rated.voltage | 60V |
| Test.Voltage | 200V |
| Dielectric Resistance | > 500MΩ |

Mechanical

Durability Mating cycles > 500

Material and plating

| | Material | plating |
|------------------|------------------|---------|
| Body | Brass | Au0.05 |
| Insulator | PTFE | - |
| Center conductor | Beryllium copper | Au0.05 |
| Nut | Brass | Au0.05 |

Environmental

Temperature Range -40°C ~ +85°C